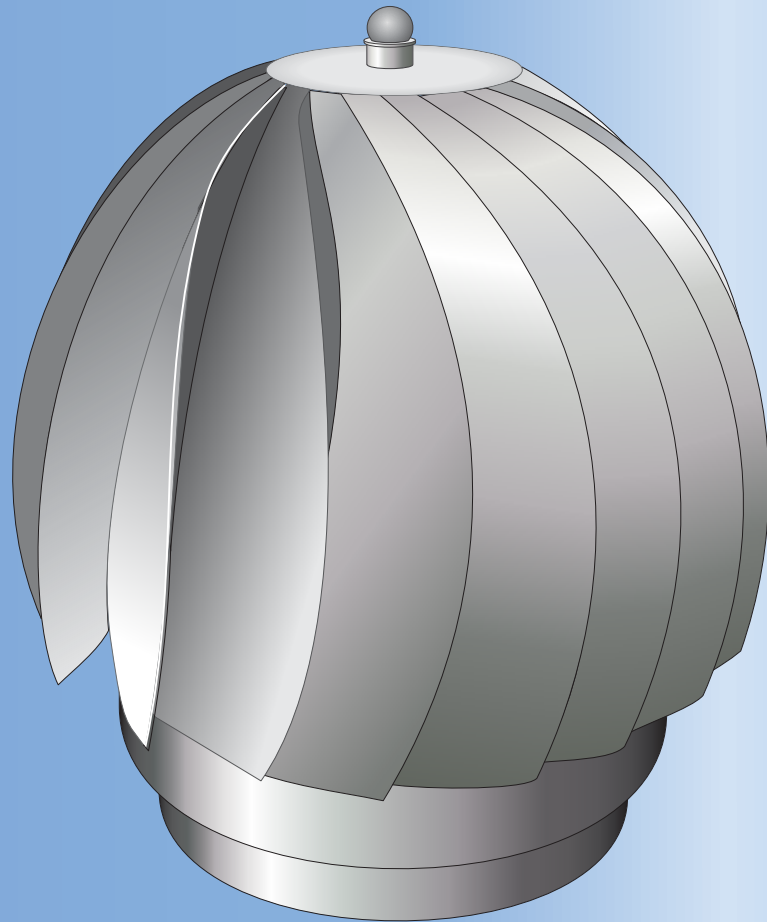


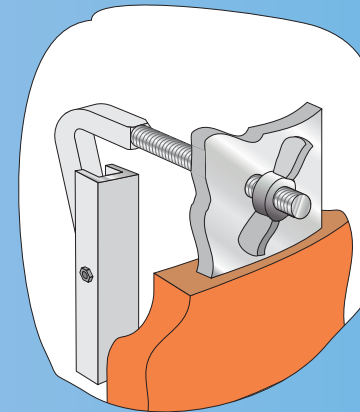
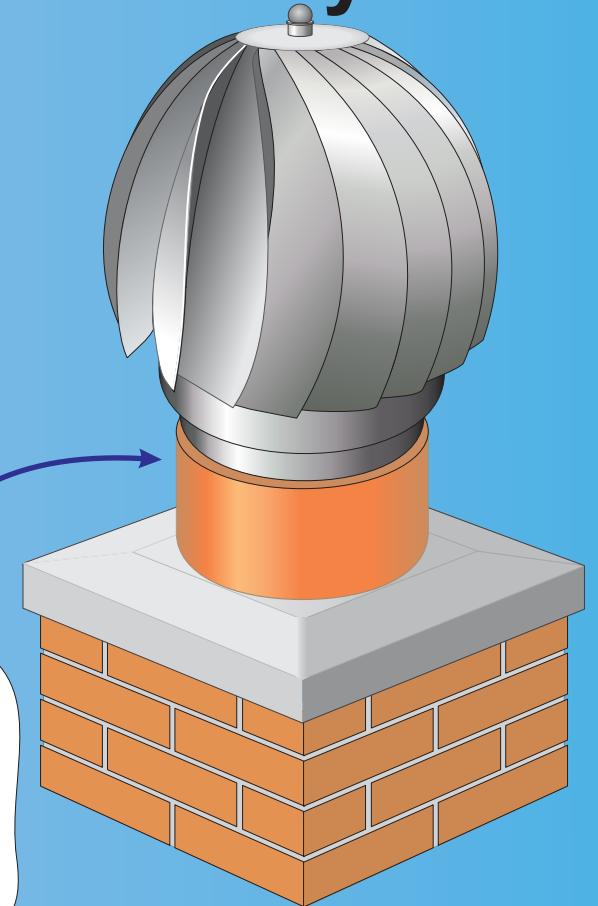
SMART *Draught*



Features

- Use on chimneys in down draught situations
- Silently creates a positive up draught when rotated by the wind
- Use on any buildings as a wind driven ventilation aid

Universal Fitting Chimney Cowl



Includes Three
Securing Brackets

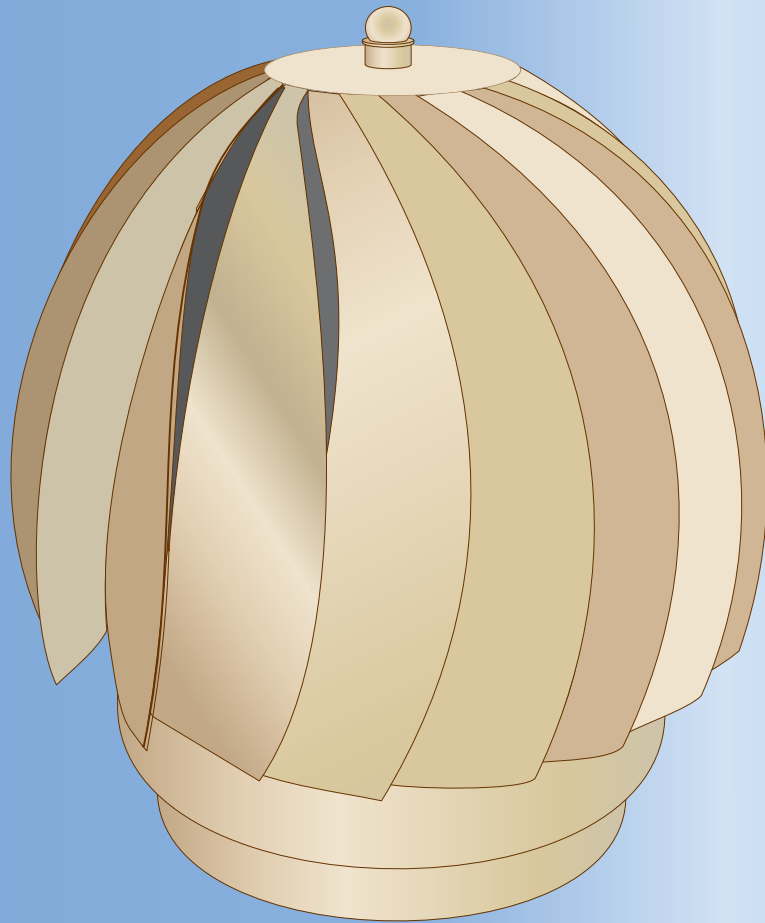
A wind driven freely spinning terminal designed to provide an uplifting draught on difficult chimneys. A robust stainless steel construction.

IQ Design Limited Unit 20, Millennium Business Park, Cappagh Road, Dublin 11, Ireland
Tel: +353 1 8649004, Email: info@iqdesign.ie, Web: www.iqdesign.ie



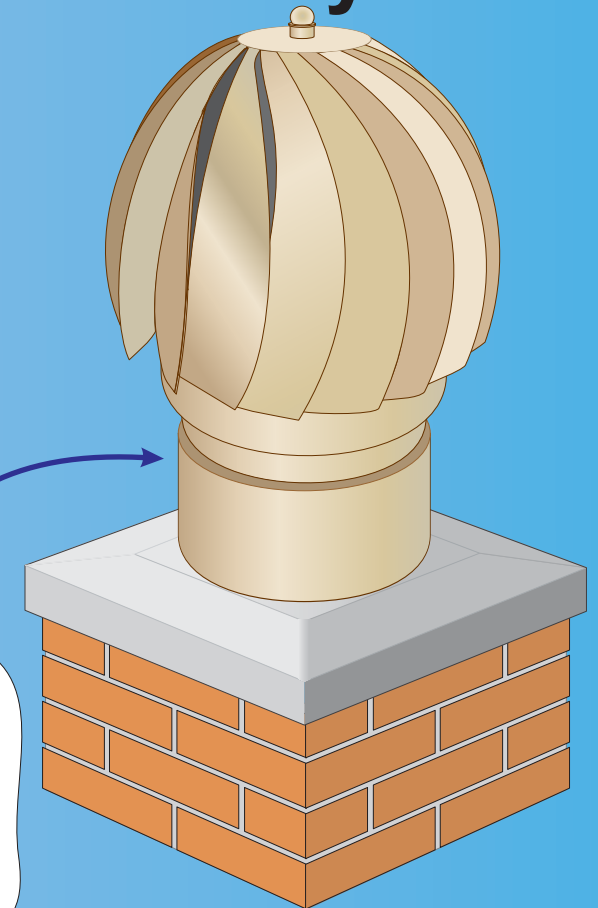
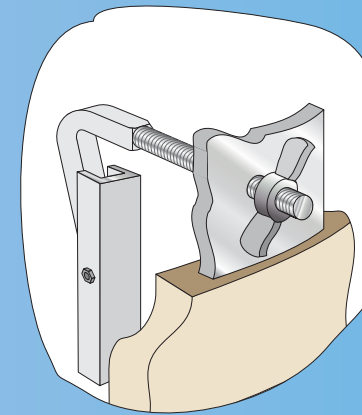
SMART *Draught*

Universal Fitting Chimney Cowl



Features

- Use on chimneys in down draught situations
- Silently creates a positive up draught when rotated by the wind
- Use on any buildings as a wind driven ventilation aid



Includes Three
Securing Brackets

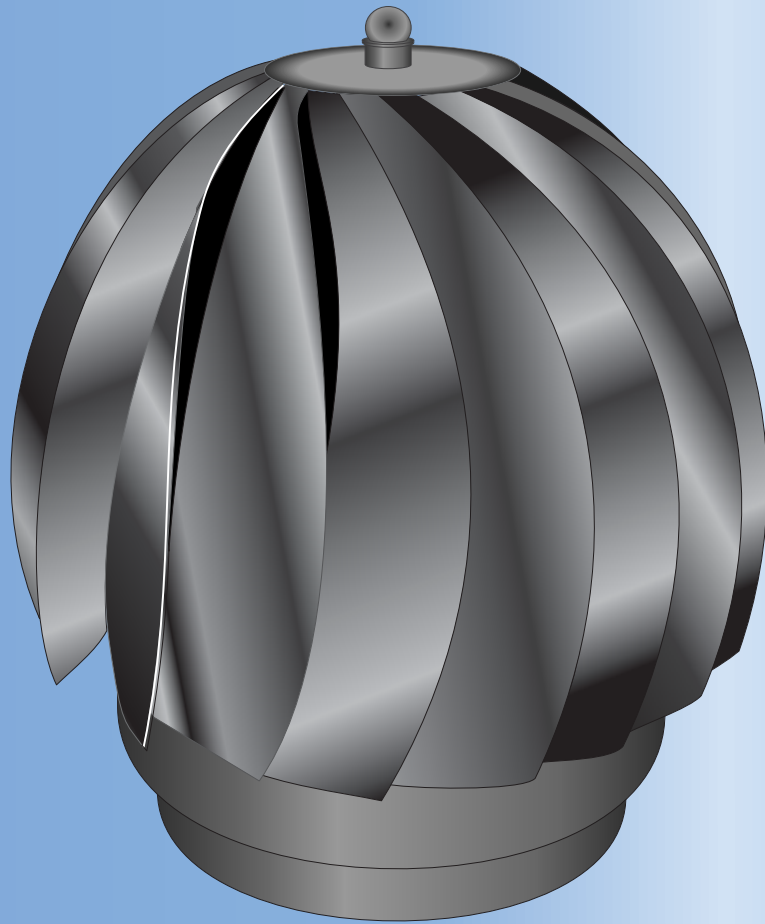
A wind driven freely spinning terminal designed to provide an uplifting draught on difficult chimneys. A robust stainless steel construction.

IQ Design Limited Unit 20, Millennium Business Park, Cappagh Road, Dublin 11, Ireland
Tel: +353 1 8649004, Email: info@iqdesign.ie, Web: www.iqdesign.ie



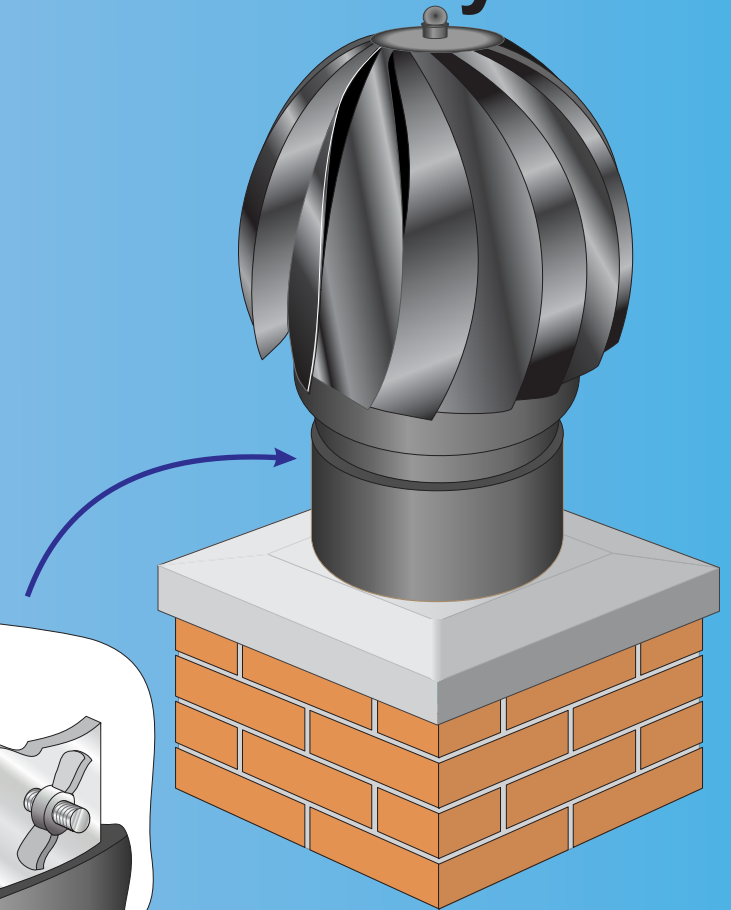
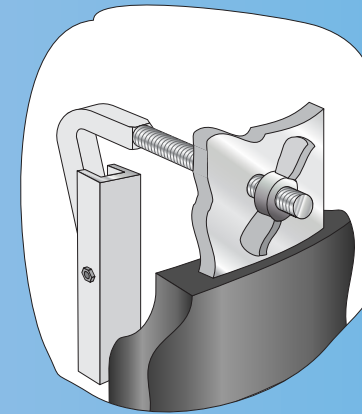
SMART *Draught*

Universal Fitting Chimney Cowl



Features

- Use on chimneys in down draught situations
- Silently creates a positive up draught when rotated by the wind
- Use on any buildings as a wind driven ventilation aid



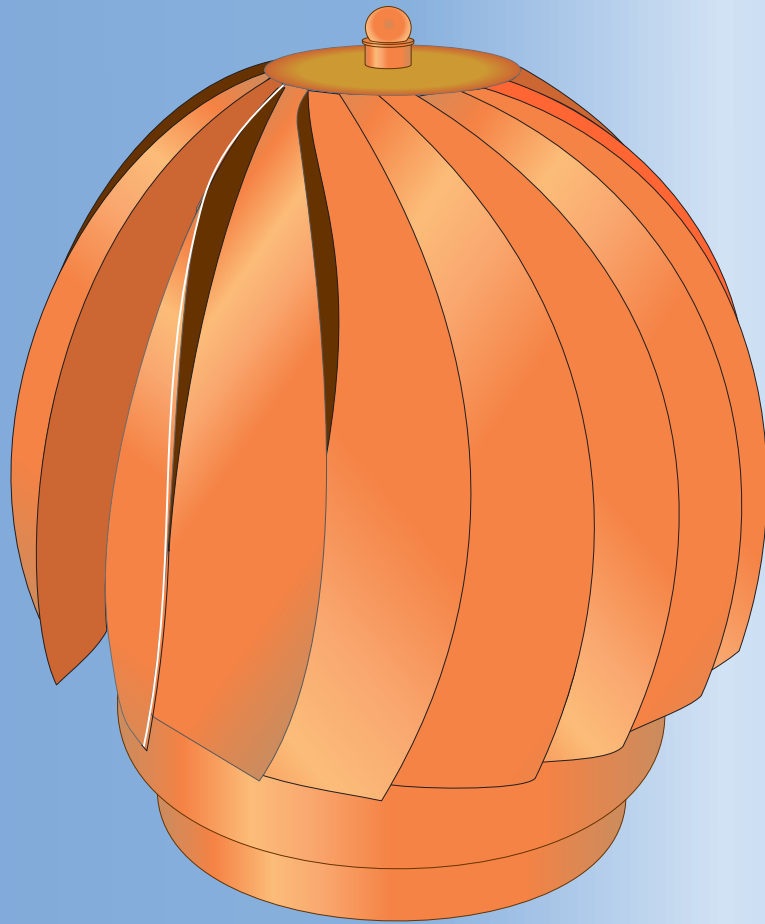
Includes Three
Securing Brackets

A wind driven freely spinning terminal designed to provide an uplifting draught on difficult chimneys. A robust stainless steel construction.

IQ Design Limited Unit 20, Millennium Business Park, Cappagh Road, Dublin 11, Ireland
Tel: +353 1 8649004, Email: info@iqdesign.ie, Web: www.iqdesign.ie



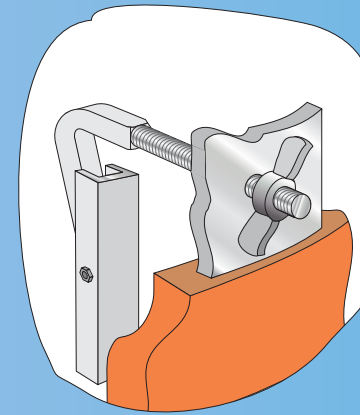
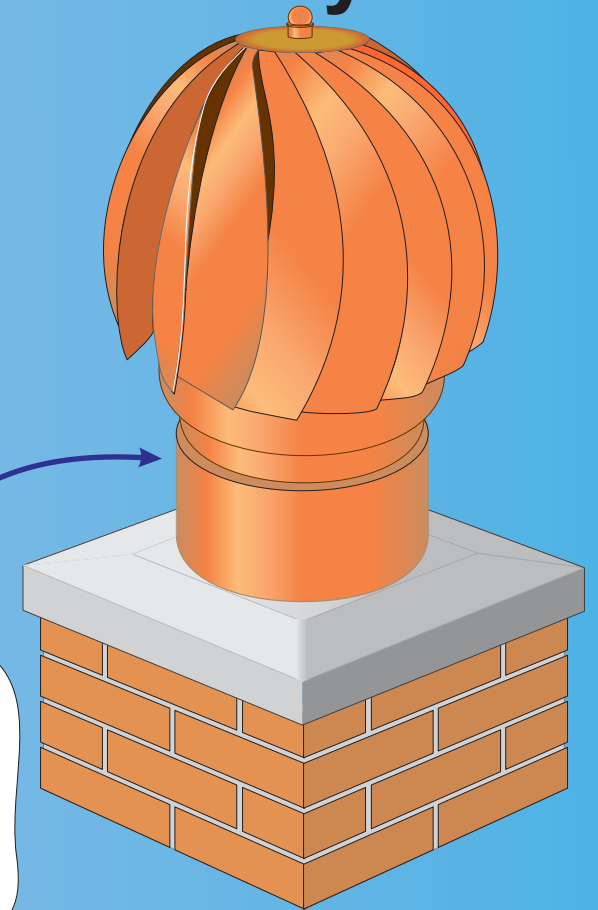
SMART *Draught*



Features

- Use on chimneys in down draught situations
- Silently creates a positive up draught when rotated by the wind
- Use on any buildings as a wind driven ventilation aid

Universal Fitting Chimney Cowl



Includes Three
Securing Brackets

A wind driven freely spinning terminal designed to provide an uplifting draught on difficult chimneys. A robust stainless steel construction.

IQ Design Limited Unit 20, Millennium Business Park, Cappagh Road, Dublin 11, Ireland
Tel: +353 1 8649004, Email: info@iqdesign.ie, Web: www.iqdesign.ie

